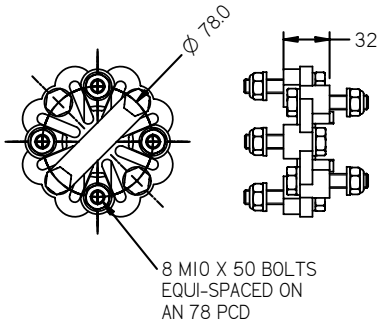
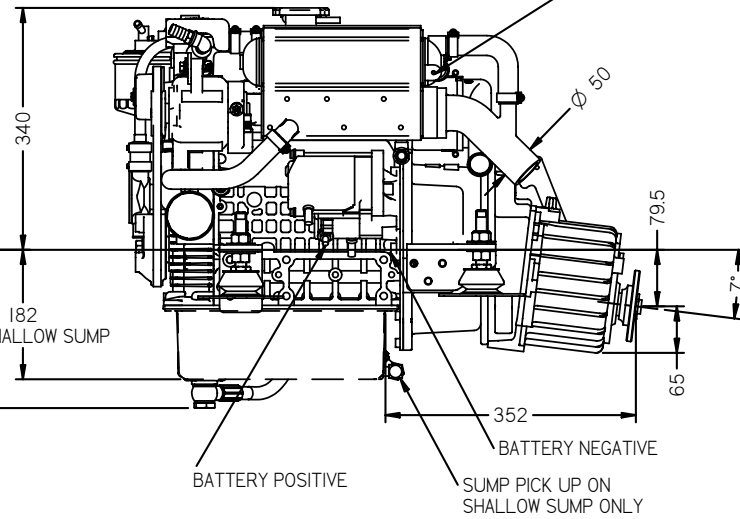
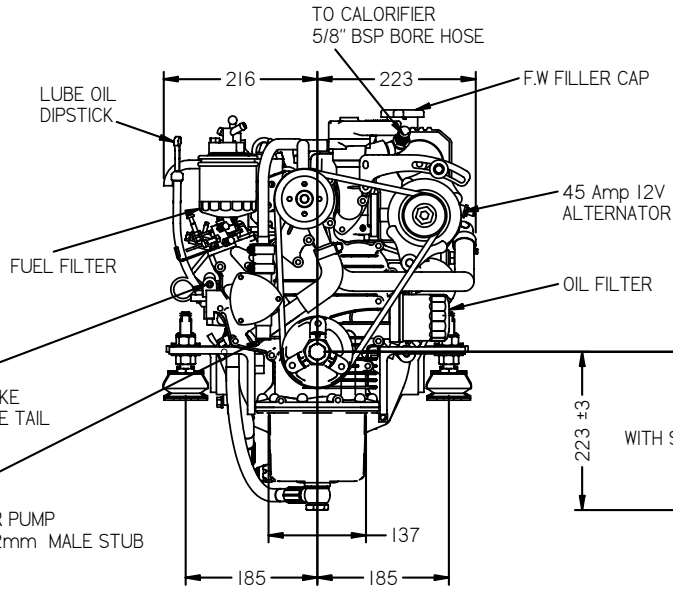
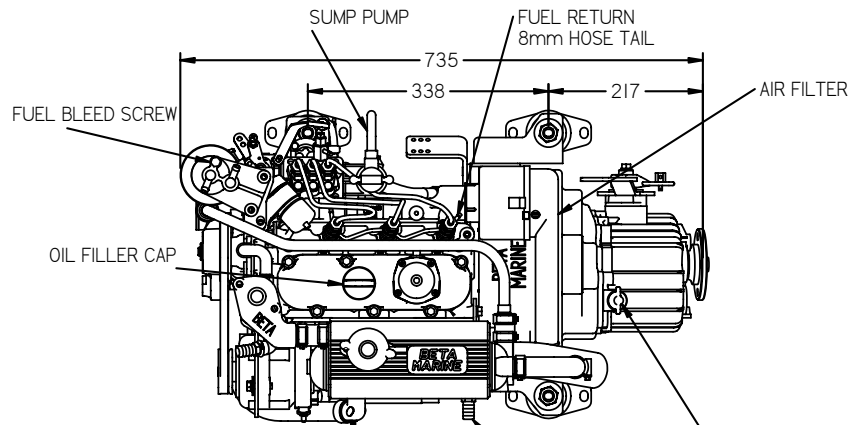
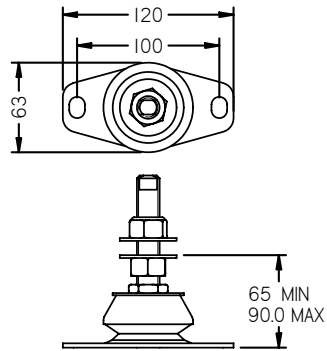


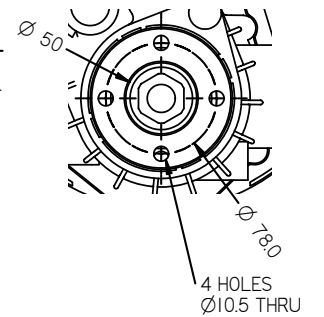
FLEXIBLE COUPLING DETAILS



FLEXIBLE MOUNT DETAILS



GEARBOX OUTPUT



REV	DESCRIPTION	DATE	APP'D	DRAWN	NOTES
01	CALORIFIERS, SHALLOW SUMP AND COUPLING DETAILS	23/01/06		TW	

DIMENSIONS IN MM (INCH)
 DO NOT SCALE

BETA MARINE

BETA MARINE LTD.
 MERRETT'S MILLS,
 BATH ROAD,
 SOUTH WOODCHESTER,
 STROUD, GLOS. GL5 5EU

DRAWN BY: TW
 CHECKED BY:

TITLE **BETA 25 (BD902) HEAT EXCHANGE
 KANZAKI TTMC35A GEARBOX**

SIZE **A4** DWG NO. **100-06494** REV **01**

SCALE PAGE **1 of 1** DATE **23/01/2006**